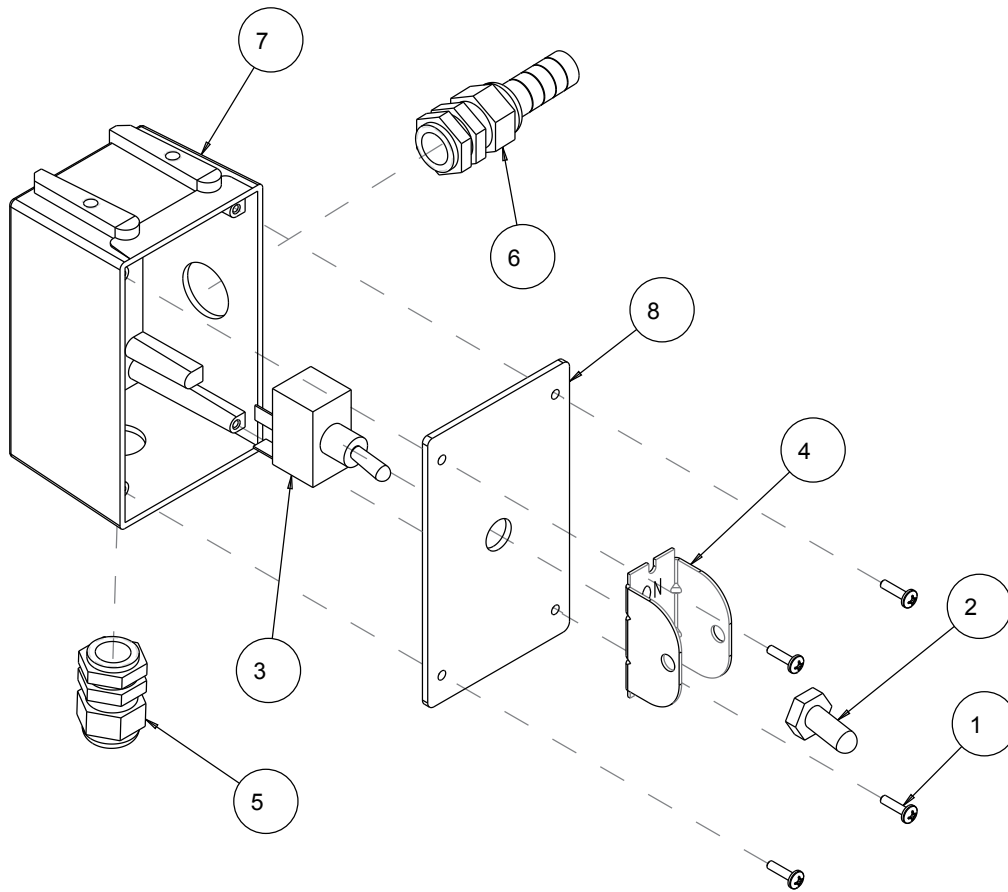


ITEM	DESCRIPTION	PART #	QTY
1	WHEEL, FRONT 5" X 2" W CONCSAW	138537	2
2	GRIP, HANDLE, 3/4 X 4-3/4	139949	2
3	NUT, 1/4 - 20 HEX	151893	1
4	CLAMP, 3/4 CUSHION LOOP	152594	1
5	SCREW, 1/4 -20 X 1/2 HEX HEAD	152608	1
6	COLLAR, SET, 3/4"	153814	2
7	MK-304CGI 7" CUP WHEEL	155446	1
8	SCREW, FLAT HEAD, 1/4 - 20 X 1/2 PHIL	155812	2
9	KNOB, TRI	156770-04	1
10	FILTER, MOTOR	157729	1
11	MTR, 115V, 15A, AC	157801-C	1
12	CAP, MOTOR	157877	1
13	SPACER, NYLON	157878	1
14	SPACE, CAP SCREW	157879	2
15	SCREW, #8 X 1-1/2 FLAT HD PHIL	158157	2
16	SCREW, HEX HEAD CAP, M6 X 1 X 20MM	158158	6
17	WASHER, FLAT, 5/8 SAE	158350	1
18	WASHER, FLAT M6	160215	6
19	CLAMP-DUST SHROUD	166407	1
20	VACUUM HOSE 2" X 37" LG.	166536	1
21	DUST SHROUD ASSEMBLY	166649	1
22	SWITCH ASSEMBLY	166858	1
23	BASE WELDMENT	166860	1
24	HANDLE BAR WELDMENT	166861	1
25	SHAFT ADAPTOR	166863	1
26	SCREW, HHCS 5/8 - 11 X 3/4	167177	1
27	SCREW, SET M10 X 1.5 X 30MM	167179	1
28	WEIGHT, GRINDER	167434	1
29	SPLIT LOOM 5/8"	167662	1



ITEM	DESCRIPTION	PART #	QTY
1	SCREW, #6 - 32 X 1/2 PAN HEAD SELF TAPPING	153459	4
2	COVER, SWITCH	139949	2
3	SWITCH, TOGGLE 125V 20A	154310	1
4	PLATE, TOGGLE SWITCH LOCKOUT	156211	1
5	MOTOR CORD	167176	1
6	CORD, POWER, 14/3 SJTW X 5-15P	167180	1
7	BOX SWITCH MOD	167432	1
8	PLATE,COVER	167433	1